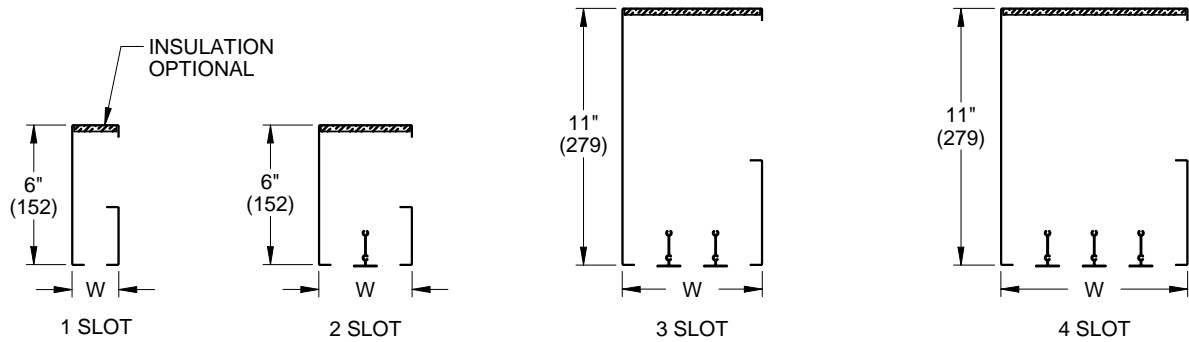
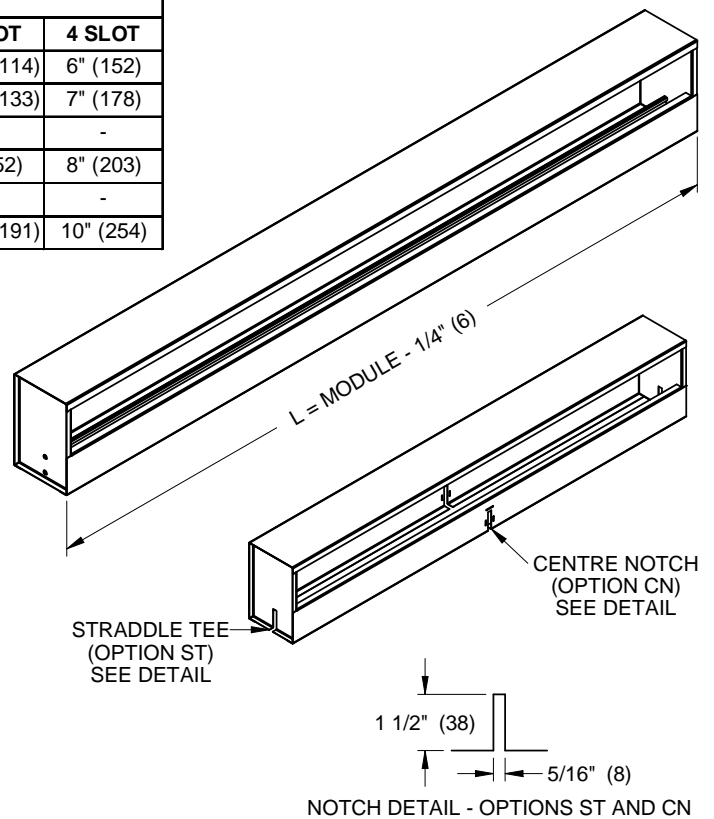


TBR, TBRI T-BAR RETURN DIFFUSERS



MATCHING DIFFUSER	SLOT WIDTH	W			
		1 SLOT	2 SLOT	3 SLOT	4 SLOT
350	1/2" (13)	1 1/2" (38)	3" (76)	4 1/2" (114)	6" (152)
375, 475	3/4" (19)	1 3/4" (44)	3 1/2" (89)	5 1/4" (133)	7" (178)
2100	1" (25)	2" (51)	4" (102)	-	-
3100, 4100	1" (25)	2" (51)	4" (102)	6" (152)	8" (203)
2150	1 3/8" (35)	2 3/8" (60)	4 3/4" (121)	-	-
4150	1 1/2" (38)	2 1/2" (64)	5" (127)	7 1/2" (191)	10" (254)

MODULE LENGTH	L
24"	23 3/4"
30"	29 3/4"
36"	35 3/4"
48"	47 3/4"
60"	59 3/4"
600mm	(594)
750mm	(744)
900mm	(894)
1200mm	(1194)
1500mm	(1494)



STANDARD CONSTRUCTION:

- COATED STEEL PLENUM CONSTRUCTION
- EXTRUDED ALUMINUM CENTRE TEE

INSULATION OPTIONS (MODEL TBRI):

- CF - COATED FIBERGLASS INSULATION
- FF - FIBER FREE FOAM INSULATION

OPTIONS:

- ST - STRADDLE TEE (2 SLOT UNITS ONLY)
- CN - CENTER NOTCH (36"/900mm AND LONGER)
- TB1 - ONE OUTSIDE TEE BAR ON INLET SIDE
- TB2 - OUTSIDE TEE BAR ON BOTH SIDES
- TC1 - TEE BAR CLIPS ON INLET SIDE
- TC2 - TEE BAR CLIPS ON BOTH SIDES
- APF - ALUMINUM PLASTER FRAME

FINISH:

- BFS - BLACK FACE SURFACES
- CENTRE TEE - B12 WHITE
- CENTRE TEE - B17 BLACK

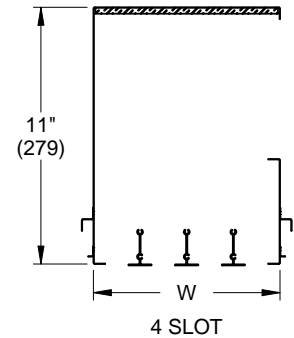
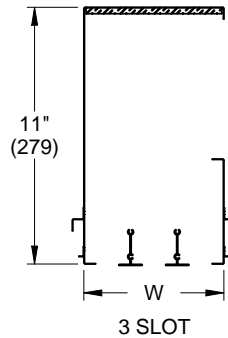
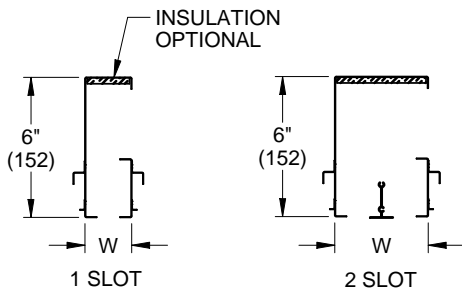
NOTES:

- TBRI IS INSULATED ON TOP PANEL ONLY
- FACTORY TOLERANCE +/- 1/32" (1)

ALL METRIC DIMENSIONS () ARE SOFT CONVERTED. IMPERIAL DIMENSIONS ARE CONVERTED TO METRIC AND ROUNDED TO THE NEAREST MILLIMETER.

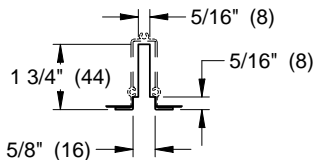
PROJECT:		PRICE
ENGINEER:		
CUSTOMER:		TBR, TBRI T-BAR RETURN DIFFUSER
SUBMITTAL DATE:		245828
SPEC. SYMBOL:		2011/12/19

TBR, TBRI T-BAR RETURN DIFFUSERS STYLE 17

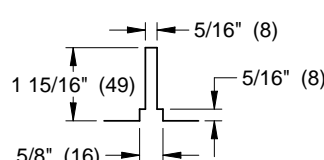


MATCHING DIFFUSER	SLOT WIDTH	W				
		1 SLOT	2 SLOT	2 SLOT ST	3 SLOT	4 SLOT
350	1/2" (13)	1 1/2" (38)	3" (76)	3 5/8" (92)	4 1/2" (114)	6" (152)
375, 475	3/4" (19)	1 3/4" (44)	3 1/2" (89)	4 1/8" (105)	5 1/4" (133)	7" (178)
2100	1" (25)	2" (51)	4" (102)	4 5/8" (117)	-	-
3100, 4100	1" (25)	2" (51)	4" (102)	4 5/8" (117)	6" (152)	8" (203)
2150	1 3/8" (35)	2 3/8" (60)	4 3/4" (121)	5 3/8" (137)	-	-
4150	1 1/2" (38)	2 1/2" (64)	5" (127)	5 5/8" (143)	7 1/2" (191)	10" (254)

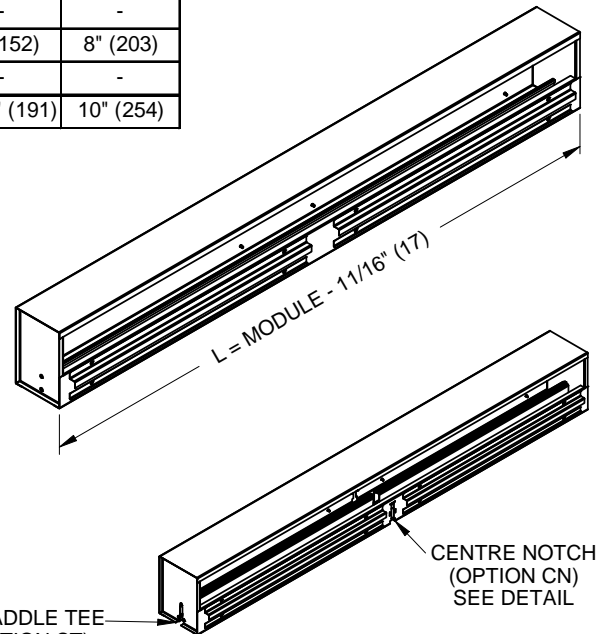
MODULE LENGTH	L
24"	23 5/16"
48"	47 5/16"
600mm	(583)
1200mm	(1183)



NOTCH DETAIL - OPTION ST



NOTCH DETAIL - OPTION CN



STRADDLE TEE (OPTION ST) SEE DETAIL

STANDARD CONSTRUCTION:

- COATED STEEL PLENUM CONSTRUCTION
- EXTRUDED ALUMINUM CENTRE TEE

INSULATION OPTIONS (MODEL TBD4):

- CF - COATED FIBERGLASS INSULATION
- FF - FIBER FREE FOAM INSULATION

OPTIONS:

- ST - STRADDLE TEE (2 SLOT UNITS ONLY)
- CN - CENTER NOTCH (48"/1200mm LENGTHS ONLY)


FINISH:

- BLACK FACE SURFACES
- CENTRE TEE - B12 WHITE
- CENTRE TEE - B17 BLACK

NOTES:

- TBRI IS INSULATED ON TOP PANEL ONLY
- FACTORY TOLERANCE +/- 1/32" (1)

ALL METRIC DIMENSIONS () ARE SOFT CONVERTED. IMPERIAL DIMENSIONS ARE CONVERTED TO METRIC AND ROUNDED TO THE NEAREST MILLIMETER.

PROJECT:		PRICE
ENGINEER:		
CUSTOMER:		 TBR, TBRI T-BAR RETURN DIFFUSER STYLE 17
SUBMITTAL DATE:	SPEC. SYMBOL:	245829
		2011/12/19